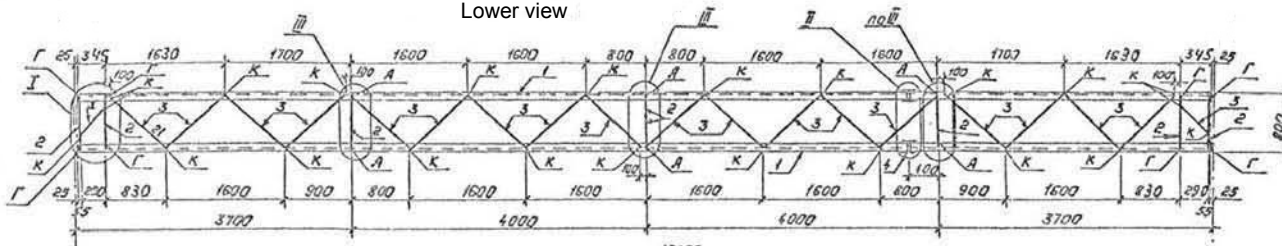
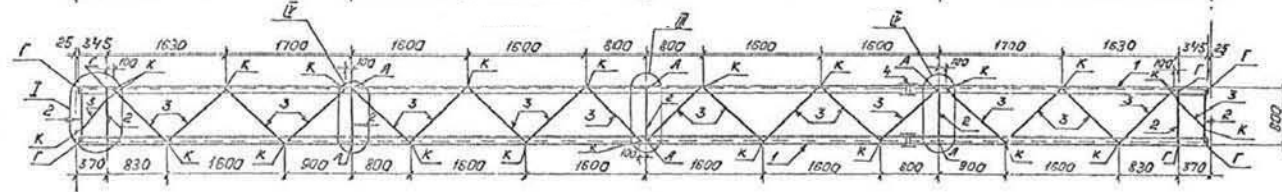
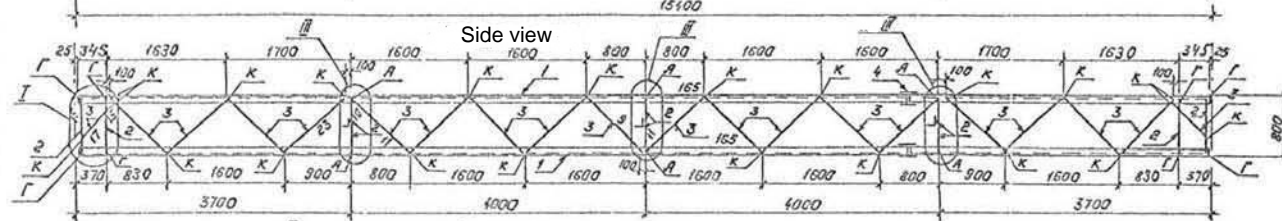


Lower view

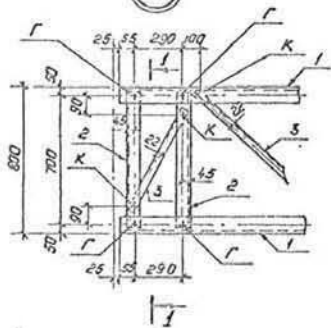


Side view

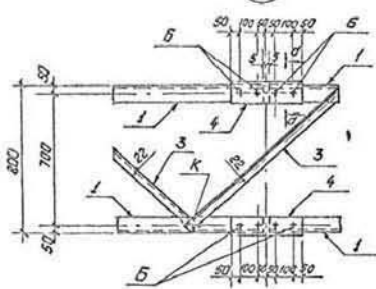


Instead of length 15.4m. of feeder portal traverse it must be made length of 14.2 m.

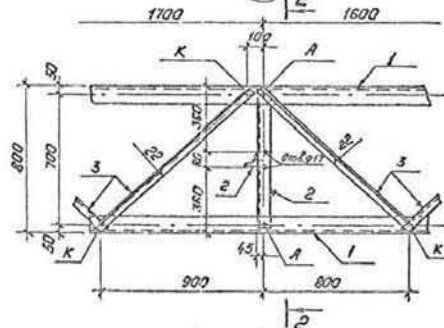
I



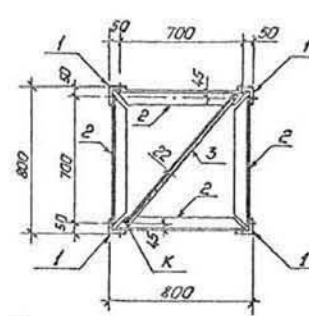
II



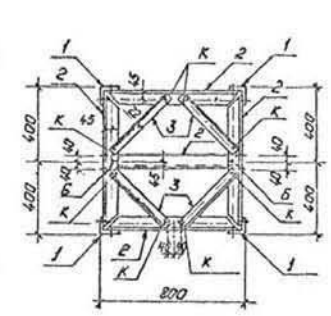
III



1-1



2-2



IV

