

MASTERPLAN -wayfinding, advertising and furniture



free standing benches
"COMÚ" by Escofet



litter bin without ashtray on top
"Outline" by Sit



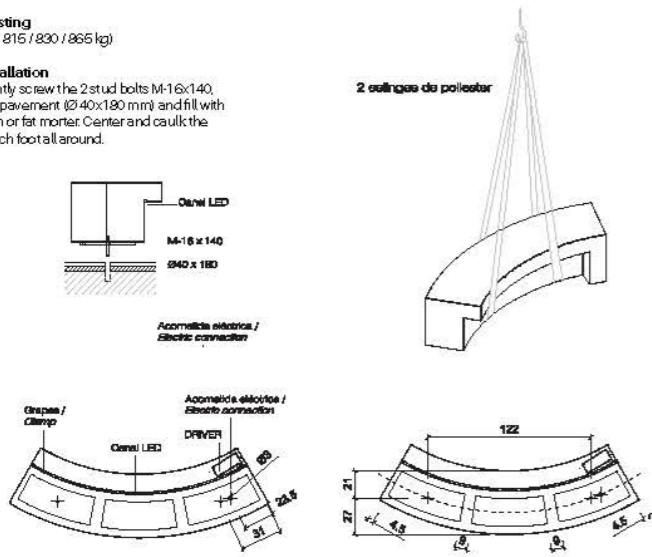
8m high billboard by JCdecaux



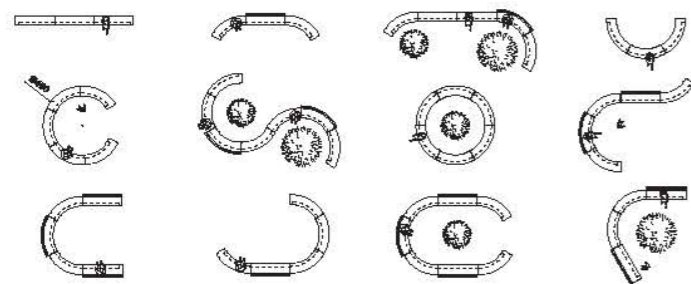
2m high digital advertising by JCdecaux

Hoisting
(W= 815 / 830 / 865 kg)

Installation
Tightly screw the 2 stud bolts M-16x140, drill pavement (Ø 40x180 mm) and fill with resin or fat mortar. Center and caulk the bench foot all around.



1.3. Aggregations



ref. 532.CXLC - OUTLINE_litter bin

ref. 532.CXLC - OUTLINE_litter bin

SIT

TECHNICAL DETAILS mm/100

- FIXING POINT
- TOP VIEW
- FRONT VIEW
- SIDE VIEW
- BACK VIEW

OPENING SYSTEM mm/100

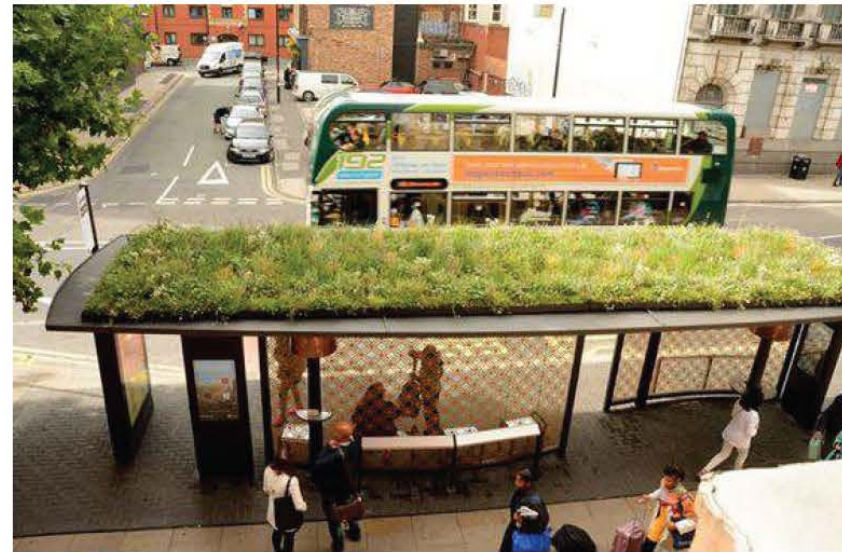
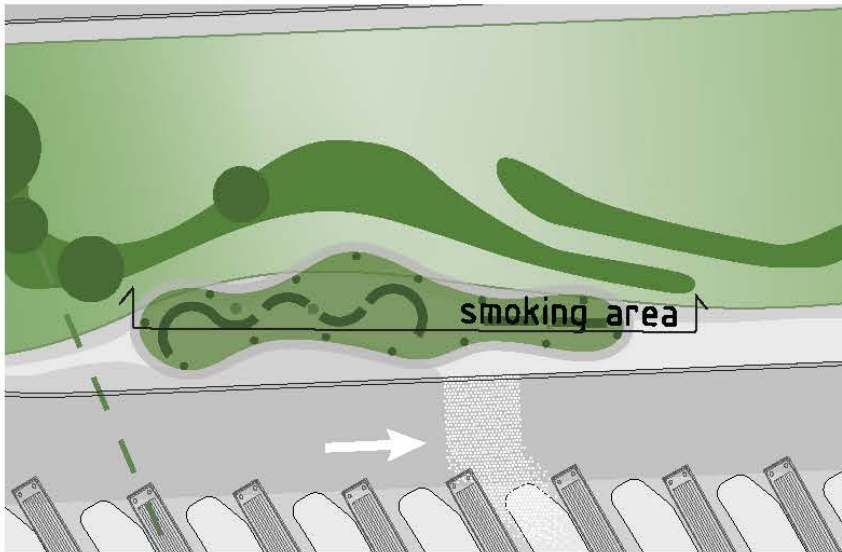
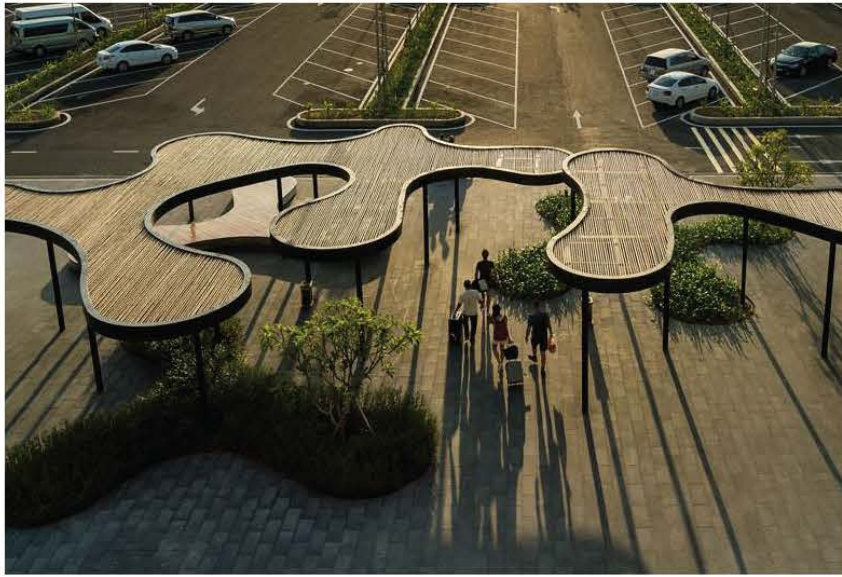
ELEVATION mm/100

FIXING SYSTEM mm/100

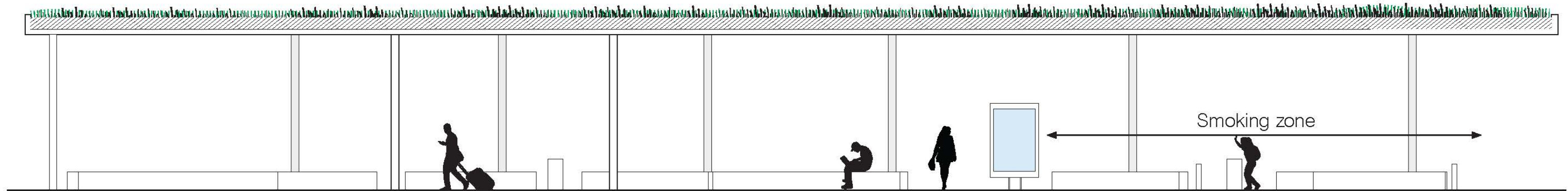
UP WITH POLYESTER STRAPS AND IN CONTACT WITH CONCRETE

www.ab-outlet.com | info@ab-outlet.com
Av. Hércules S/N, 28111 Bembibre, S. Lugo (24100) Pto de Mdo. Portugal | tel. +351 266 402 024 | GPS: 59°57' 00.71" N 29°11' 10.44" W

MASTERPLAN - Bus shelter : the pergolas



Planted roof with sedums



MASTERPLAN - lighting specifications



parking: Aubrilam 8m pole
Réf. PCS9895



roads
Philips CDS 470



paths
Escofet "Prisma"



Benches
Escofet "Comú"



MAAK

MAAK is a landscape architecture firm based in Istanbul, Turkey. The plan is for the Kütlesi Airport Phase 2, showing a schematic design landscape. The drawing includes a legend for materials and vegetation, and a title block with project information.

Project: Kütlesi Airport Phase 2

Scale: 1:1500

Date: 11-10-2019

Author: CERKÜDİZ 1

Legend:

- AS-1: HVAAC block with 100x100mm
- AS-2: decorative concrete
- GR: green underlayer
- GR-1: gravel and top grasses, see planting plan
- GR-2: gravel bridges, intensive planting, see planting plan
- GR-3: gravel with grasses (LSD)
- TR-1: trees, see below list
- TR-2: trees, see below list
- TR-3: trees, see below list

Key:

- AK: Access points
- EL: Existing vegetation
- GA: Garden furniture
- LA: Light poles
- MA: Materials
- PA: Parking areas
- SA: Site access
- ST: Site boundaries